

Hera Maxi/250

Tilt-in-space bathing & toileting chair
Bariatric 250 kg weight capacity

Hera Maxi 250 is a bariatric version of the standard Hera 140, with the same features and functions. When designing the Hera series, we set out to achieve a tilt-in-space bathing and toileting chair characterised by clean lines, concealed cables, and excellent functionality.

Hera's recline feature allows many carer functions for heavier users to be more easily and comfortably carried out, e.g. in a bathing or toilet hygiene situation, or when transferring the user from a mobile or overhead lift into the chair.

Heavier clients require more space between the armrests, wider seating space and easy chair access. Hera Maxi 250 with flip-up armrests facilitates easier sideways transfer in and out of the chair and easier user access for the carer. Tilting Hera backwards or forwards is simply performed by depressing the cable located below the rear push bar. Hera's unique height adjustment mechanism accommodates users of different heights, and facilitates placement over different size of toilets.

Hera is made of stainless materials to ensure long service life. The seat and armrests are of soft polyurethane which increases user comfort. The seat is detachable, and is available with or without an open front aperture. The backrest is of soft synthetic mesh material with tension adjustable rear straps for optimal user comfort and positioning. Height adjustable foot rests and high quality wheels with brakes are standard.

Product highlights

Easy action tilting function for heavier users, backwards or forwards.
Clean lines, concealed cables.
Optional seat with closed or open front.
Height adjustable frame.
Low friction wheels for heavy duty manoeuvrability.
Wide range of accessories.

Accessories

E.g. neck support
Leg supports: right and left
Seat covers
Bucket
Etc.





Height adjustable



Tilting angle:
30° backwards, 5° forwards



Hera Maxi 250 with user

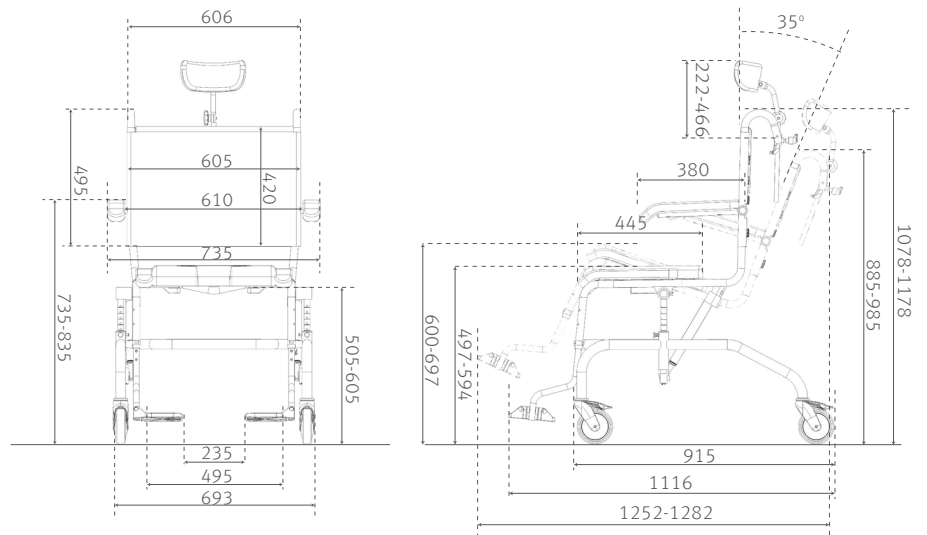


Bucket

Version	Item-number
Hera 250 Bathing & Toileting Chair	041-00257 (chassis)
Accessories	
Hair wash tray	047-00400
Seat with round hole	047-00250
Cover for seat with round hole	047-00260
Seat with open front	047-00255
Cover for seat with open front	047-00261
Neck support	047-00310
Foot rest standard	047-00030
Spec.support - leg support - right	047-00610
Spec.support - leg support - left	047-00611
Bucket	047-00900
Gel cushion	047-00550
Backrests - Black mesh	047-00204

TECHNICAL SPECIFICATION

Max. load	250 kg
Distance between arm rests	610 mm
Seat depth	445 mm
Seat height	497-594 mm
Total width	735 mm
Total height	1078-1178 mm
Weight	24 kg
Angle of tilt	+5 to -30 degrees
Height adjustable	mechanical
Material chassis	stainless steel
Wheel diameter	ø125 mm
Low friction wheels, all 4 with brakes	



Consult the Technical manual for further specifications. All figures and measurements are for guidance only and may differ in actual situations. Ergolet reserves the right to changes without notice.

Product photos may include accessories. Consult your dealer.



date 04.07.2012 - ver. 5

Ergolet
Taarnborgvej 12C
4220 Korsoer
Denmark
tel. +45 70 27 37 20
e-mail: ergolet@ergolet.dk



www.ergolet.com