

# Solar/175

All purpose ergonomic mobile lift

## Primary application

Home care  
Institutional  
Hospital



Solar's Scandinavian design with its sweeping elegant lines makes it an attractive choice for home care or institutional use. Its excellent lifting range allows clients to be lifted from the floor

The design and shape of the chassis provides the client with space for a more relaxed transfer. The curved legs allow a wider base spread to access large chairs or wheelchairs. Ergolet's patented spreader bar always ensures safe and simple sling attachment.

Solar uses the most advanced Linak control box, which includes an LCD display that shows current action and service information. The system records and shows the number of lifts performed and also the date of the next service.

## Key standard functions

- Electrical leg adjustment as standard.
- Emergency stop and emergency lowering.
- Advanced Linak control system.
- New ergonomic handle design.
- Narrow base to accommodate narrow doors.
- Curved legs giving a wide spread to access large chairs.

## Accessories

- Choice of 2, 3 and 4 point spreader bars
- Weigh scale
- Comprehensive range of ERGO slings



All Ergolet's spreader bars mounted on Solar can easily be **tilted** and **turned 360°**.





Sling attachment: a minimum of downward pressure locks the sling hook; pull upwards to unlock sling hook.



Solar featured with ERGO sling. The mobile lift is easy to maneuver, thanks to the new ergonomic hand grip design and smooth rolling wheels.



Lift from floor. Wide high-low lifting range 440mm to 1780mm.



Linak's most advanced control system. The main functions are emergency stop, quick and slow up and down. LCD screen shows the condition of the battery, service overview, and lifting mode. Emergency stop button on the control box.



Manual emergency lowering button.

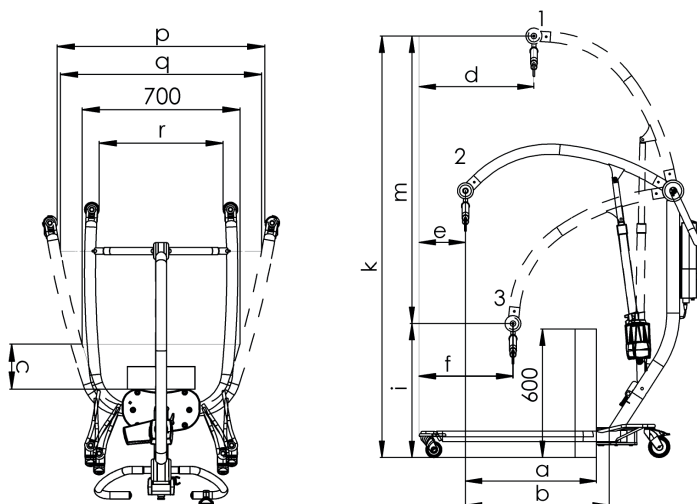
## PRODUCT HIGHLIGHTS

- Possible to lift from floor. Class leading high-low lift range from 440 mm to 1780 mm
- Electrical leg adjustment
- Patented Ergolet spreader bar hooks, simple and safe to use
- Narrow stable base can accommodate narrow 700 mm doors
- Wide leg spreading to access wide chairs or wheelchairs
- Scandinavian design-clean, state of the art
- Latest Linak hand control

Version	Item-number
Solar 175 with 2-point spreader bar, 58 cm	010-01314
Solar 175 with 3-point spreader bar, 58 cm	010-01316
Accessories	
Weigh scale incl. 2-point spreader bar	017-00121
Weigh scale incl. 3-point spreader bar	017-00135
2-point spreader bar, 58 cm	018-03505
3-point spreader bar	018-03510
4-point spreader bar	018-03509
Battery module, 24V	250-03015
Hand control	270-00159

## TECHNICAL SPECIFICATION

Max. load (SWL)	175 kg		
Lifting method	Electrical		
Leg spreading method	Electrical		
Emergency lowering	Manual		
Emergency stop	Manual		
Total weight	50 kg		
Battery capacity	40-60 lifts (80 Kg, 0,5m)		
Min. width	680 mm		
Weight heaviest single part	24 kg		
a	614 mm	i	636 mm
b	674 mm	k	1970 mm
c	200 mm	m	1342 mm
d	538 mm	p	920 mm
e	217 mm	r	550 mm
f	439 mm	q	893 mm



Consult the Technical manual for further specifications. All figures and measurements are for guidance only and may differ in actual situations. Ergolet reserves the right to changes without notice.

Product photos may include accessories. Consult your dealer.



date 02.04.2014 - ver. 6

Ergolet  
 Taarnborgvej 12C  
 4220 Korsoer  
 Denmark  
 tel. +45 70 27 37 20  
 e-mail: ergolet@ergolet.dk

[www.ergolet.com](http://www.ergolet.com)

